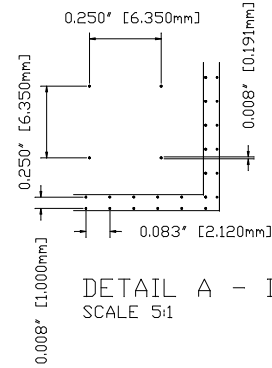
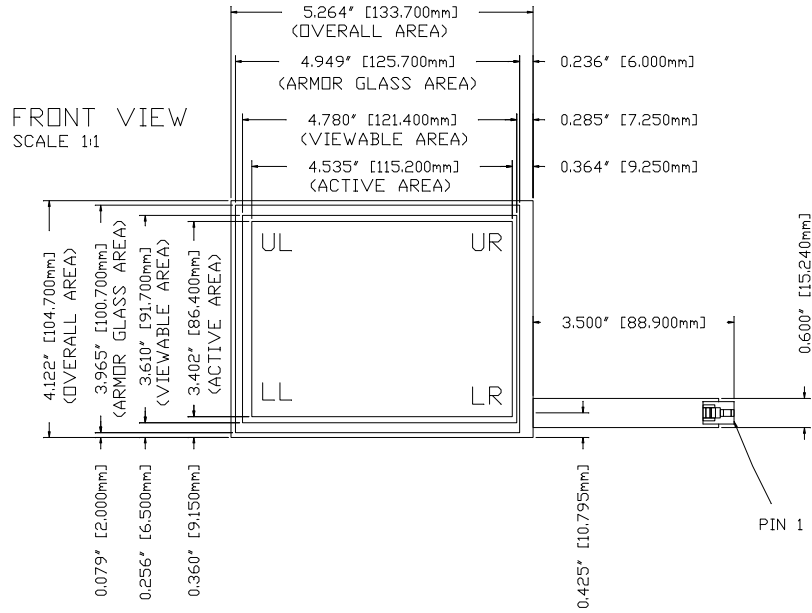
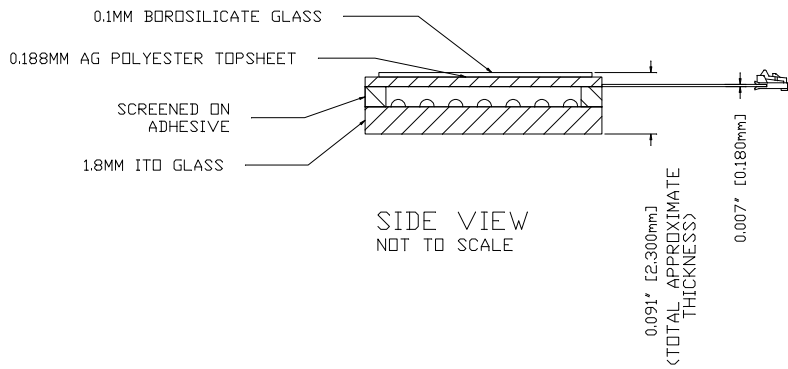


THIS DRAWING AND ALL INFORMATION HEREON IS THE PROPERTY OF A.D. METRO. IT IS TO BE USED ONLY FOR THE PURPOSES SPECIFIED HEREIN. IT IS TO BE KEPT IN CONFIDENTIALITY AND NOT TO BE REPRODUCED OR TRANSMITTED IN ANY FORM OR BY ANY MEANS, ELECTRONIC OR MECHANICAL, INCLUDING PHOTOCOPYING, RECORDING, OR BY ANY INFORMATION STORAGE AND RETRIEVAL SYSTEM, WITHOUT THE WRITTEN PERMISSION OF A.D. METRO.

REVISIONS			
LET	DESCRIPTION	DATE	BY
A	INITIAL RELEASE	04-15-09	DZ
B	UPDATE DRAWING INFORMATION	06-30-09	DZ
C	CHG SPACER, NOTES, MOD THICKNESS	05-19-11	DZ



PIN	DESC
1	LL
2	UL
3	SENSE
4	LR
5	UR



**NOTES:**

- SUBSTRATE: 1.8MM ITO GLASS
- SAFETY SEAM ON ALL EDGES
- ALL DIMENSIONS IN INCHES [MILLIMETERS]
- CABLE: 5-PIN FFC TYPE
- CONNECTOR: AMP TYPE WITH 0.1' [2.54MM] CENTERS, LATCHING, PART NUMBER 487526-4 OR EQUIVALENT. MUST HAVE GOLD PLATED CONTACTS, PART NUMBER 487406-1.
- TOUCH SCREEN TO BE ACTIVATED WITHIN ACTIVE AREA ONLY. AREA BETWEEN ACTIVE AND VIEWABLE AREAS MUST HAVE A SCREENED ON DIELECTRIC AND CONDENSED DOTS.
- TOTAL SENSOR THICKNESS: 0.091' [2.300MM] APPROXIMATE

		A D METRO - 1001 PARISEN ST - OTTAWA, ONTARIO	
		AD5.7ULTRA	
TOLERANCING UNLESS OTHERWISE SPECIFIED	DRAWN BY: DZ	PROJECT/ASSET NO.:	SHEET: 1 OF 1
DATE: 05-19-11	PROJECT NAME:	PART NO.:	SCALE:
AD-5.7-5RU-PL-200		SHEET: 1 OF 1	

10 NET SCALE DRAWING